

MOBICHAIN™

## Flexible jib crane for ergonomic lifting

Mobichain is a unique product that combines the mobile articulated jib crane smoothness with fast, precise and stepless lifting movements via an integrated Mechchain Pro.

With height-adjustable column, mobile or fixed mounting, reach of up to 4 meters and a lifting capacity up to 100 kg is Mobichain an exceptional product for ergonomic and sustainable handling.

Mobichain combines function and ergonomics in a modern product design suited for the high demands and needs in current and future handling. The lifting and lowering movements are controlled via a joystick that can be free-hanging in cable, or integrated in a gripper.



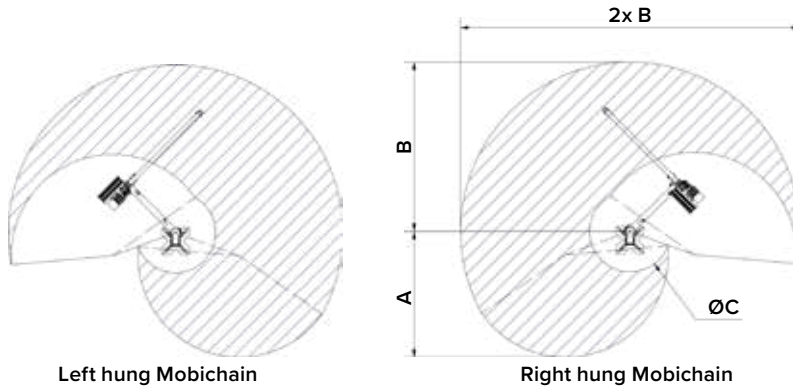
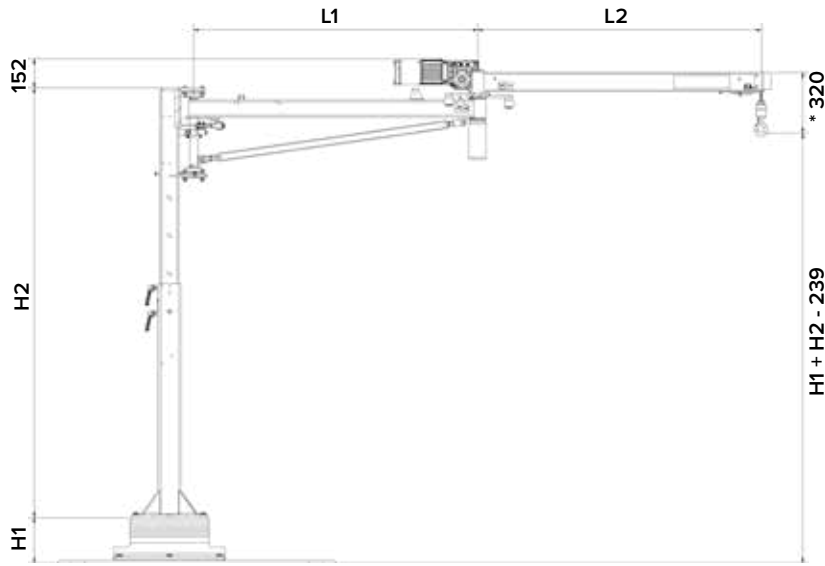
MOVOMECH.COM



### PRODUCT FEATURES

- Mobile solution with frequency-controlled lifting unit for smooth stepless lift-and lower movements
- High precision in combination with high lifting speed
- Control via joystick
- Compact, low construction height and silent working
- Easy to move with manual pallet truck
- Connect to 230V wall socket
- Radio control as option

# MOBICHAIN™ configuration



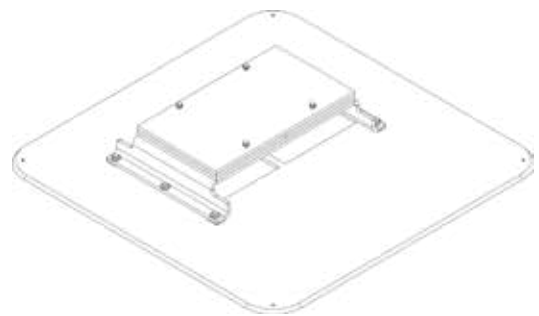
L1	L2	A	B	ØC
1000	1500	1842	2479	1187
1500	1500	2013	2974	783
1500	2000	2513	3471	1348
2000	2000	2684	3966	1044

## 1. Pillar / Wall bracket



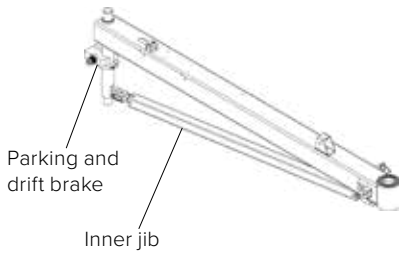
Fixed pillar	Adjustable pillar +500 mm	Adjustable pillar	Wall bracket
<b>743953</b>	<b>743254</b>	<b>743253</b>	<b>743255</b>
<b>Max height:</b> 3500 mm	<b>Height:</b> 2268 - 3228 mm	<b>Height:</b> 1768 - 2728 mm	

## 2. Mobile footplate

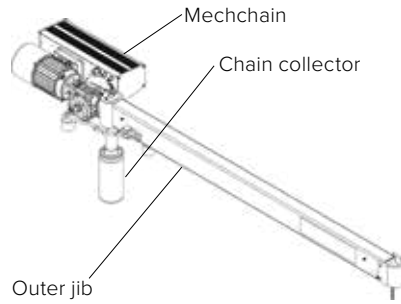


	Weights:	Height:	Arms	Capacity
<b>743251</b>	5	211 mm	1 m + 1.5 m	100 kg
<b>743418</b>	7	241 mm	1.5 m + 1.5 m	85 kg
<b>743562</b>	10	286 mm	1.5 m + 2 m	70 kg
<b>744929</b>	12	316 mm	2 m + 2 m	55 kg

3. Inner and outer jib



	Length:
<b>744926</b>	1000 mm
<b>744927</b>	1500 mm
<b>744928</b>	2000 mm



	Length:
<b>744772</b>	1500 mm
<b>744773</b>	2000 mm

Outer jib must be = or 500 mm > inner jib



4. Interface outer jib



Hanging cable \*  
**744774**



Hanging cable + Ø10 pneu. \*  
**744775**



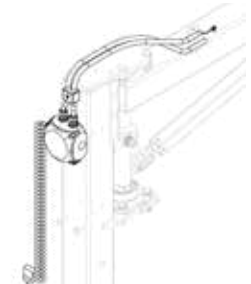
Spiral cable  
**744776**



Spiral cable + Ø10 pneu.  
**744777**



Ø10 pneu.  
**744778**



Media supply  
Electrical  
**744923**

\* Add control unit cable, M17 2,5 m **742955**

5. Lift hook



Standard hook  
**731418**



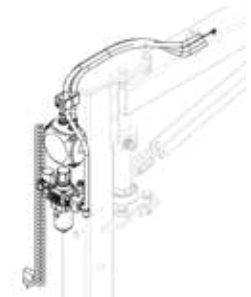
Safety hook  
**731637**



Swivel w. safety  
hook, el. + pneu  
**744779**



Swivel w. safety  
hook, pneu  
**744780**



Media supply  
Electrical + Ø10 pneu.  
**744924**

7. Control unit



Control unit M17  
**742195**



Control unit M17  
W. protection  
**742196**



Control unit M17  
W. protection + handle  
**742197**



Control unit M12  
**742192**



Control unit M12  
W. protection  
**742194**



Control unit M12  
Separate emergency stop  
**742240**



Control unit M12 W. protection  
Separate emergency stop  
**742241**

8. Accessories



Rotation limiter  
**743974**

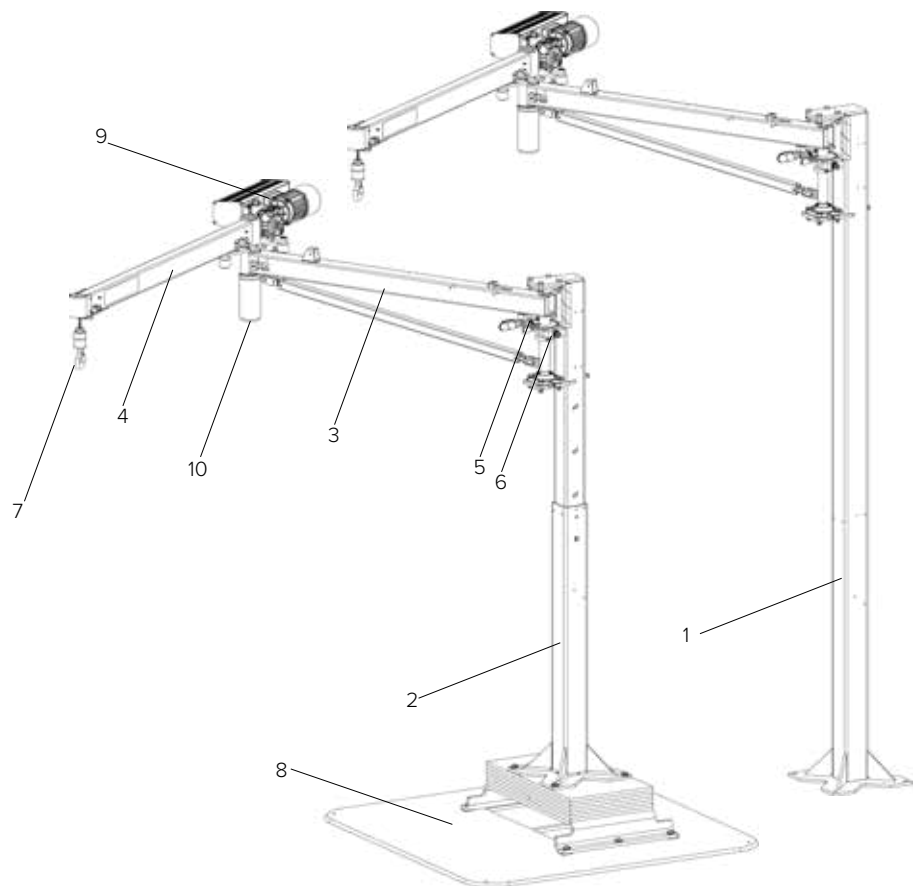


Encoder kit  
**744920**

1. Fixed pillar (B Fix)
2. Adjustable pillar (B, B+500)
3. Inner arm
4. Outer arm
5. Rotation limiter
6. Parking and drift brake
7. Lift hook
8. Mobile platform
9. Mechchain
10. Chain collector



Wall-mounted crane



#### Technical information

Max. load	[kg]	55 - 100
Max. jib arm range	[mm]	2 000 - 4 000
Max. pillar length	[mm]	1 768 - 3 228
Stroke	[mm]	3 300
Voltage	V	1 x 230V, N, PE



**For more information, contact  
your sales representative**

MOVOMECH AB  
Kabelvägen 9  
S-291 09 Kristianstad, Sweden  
Telefon: +46 (0)44 - 28 29 00  
E-mail: [info@movomech.com](mailto:info@movomech.com)  
Web: [www.movomech.com](http://www.movomech.com)

