

Lift&Drive Data Centre Lifter

Technical data



Technical data

Model	DC 15 U42	DC 15 U52	DC 09 U42	DC 09 U52
Article number	191542-10/20	191552-10/20	200942-20	200952-20
Load type	Server or battery			
Max load including tool (kg)	150	150	90	90
Max lifting speed full (m/min)	4,5	4,5	5,4	5,4
Platform type	Sliding or fixed		Fixed	
Height in "U"	42	52	42	52
Minimum height in "U"	1			
Weight (kg)	95	120	65	85
Front wheel	Swivel or fixed			
Min turning radius* (mm)	Ø1094	Ø1223	Ø887	Ø1126
Safety regulations	CE 42/2006			

Options

Model	DC 15 U42	DC 15 U52	DC 09 U42	DC 09 U52
Sliding platform	o	o	-	-
Changes in height	o	o	o	o
Adapted cuts	o	o	o	o
Wheel options	85 mm or 147 mm	85 mm or 147 mm	85 mm or 147 mm	85 mm or 147 mm
Top switch	-	o	-	o
Adaptable top switch	-	o	-	o
Sound signal	-	o	-	o
Light indication	-	o	-	o
ESD	o	o	o	o
Transfer rails	o	o	o	o
Clamping straps	o	o	o	o
Ladder	o	o	o	o
Motorization	o	o	o	o

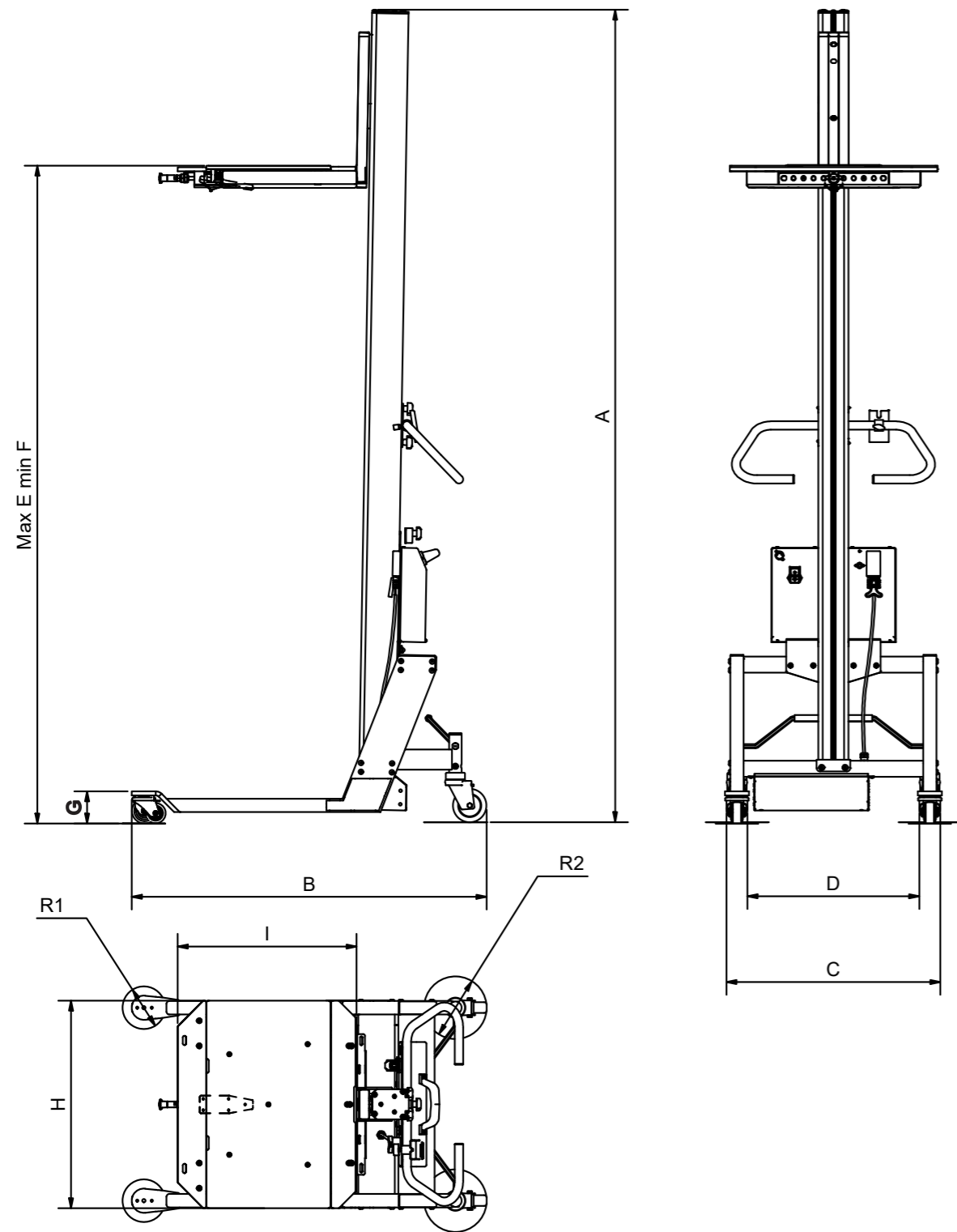
Batteries

Battery	Sealed, valve regulated, lead-acid batteries (VRLA)
Nominal battery voltage	24V DC (12V x 2)
Battery capacity	7.2 Ah
Nominal charge voltage	27.6V stand-by. 29V max voltage.
Nominal charge current	1350 mA - 2400 mA
Available plugs with charger**	Plug Type A – North America Plug Type C – Europe Plug Type G – UK Plug Type I – AU / NZ

* Central pivotal point calculated as center point between the diagonal swivel wheel pair

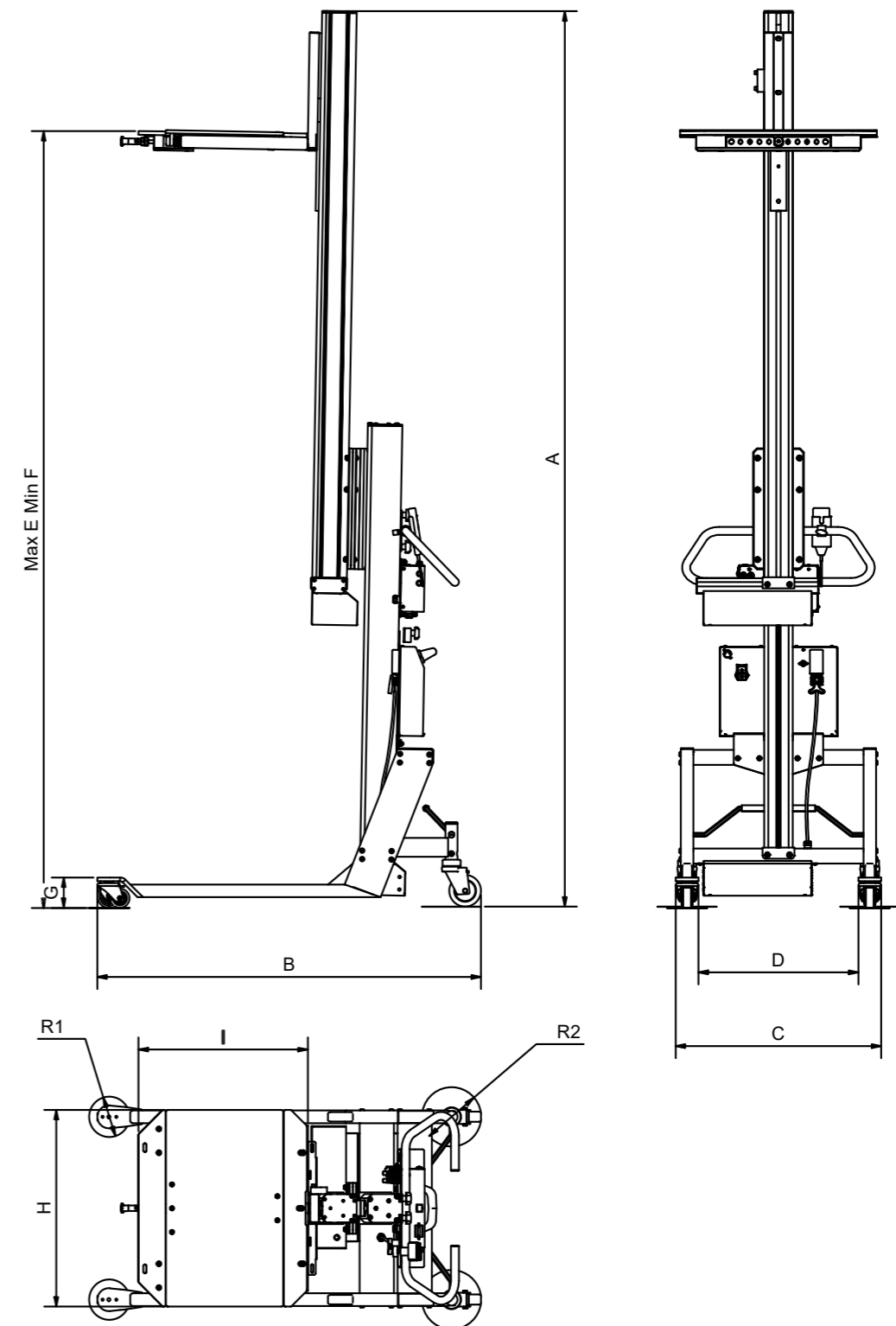
** The charger is CSA

Dimensions DC 15 U42



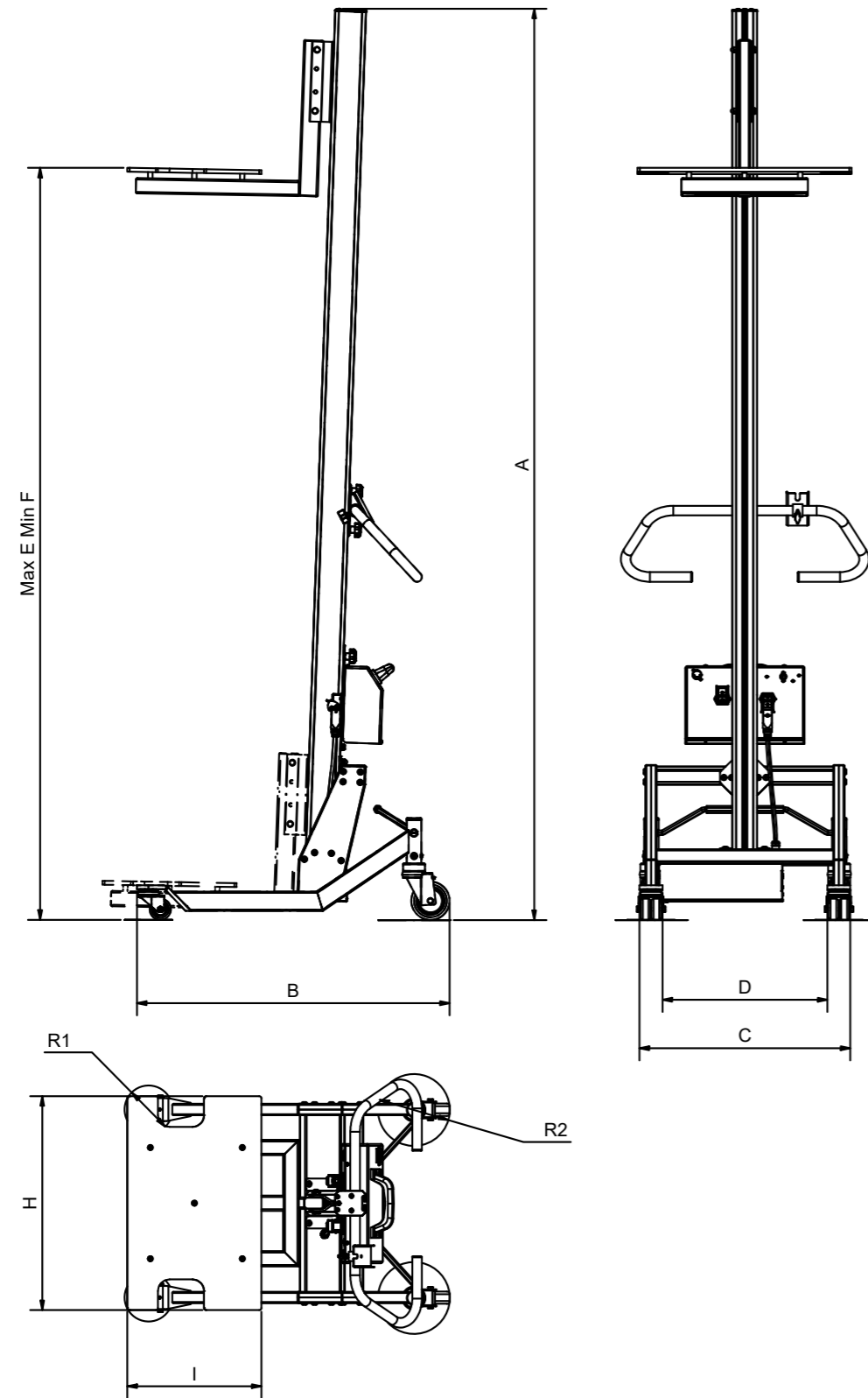
Model	A	B	C	D	E	F	H	I	R1	R2
DC 15 U42 (mm)	2420	1058	639	513	1964	95	620	534	Ø127	Ø186

Dimensions DC 15 U52



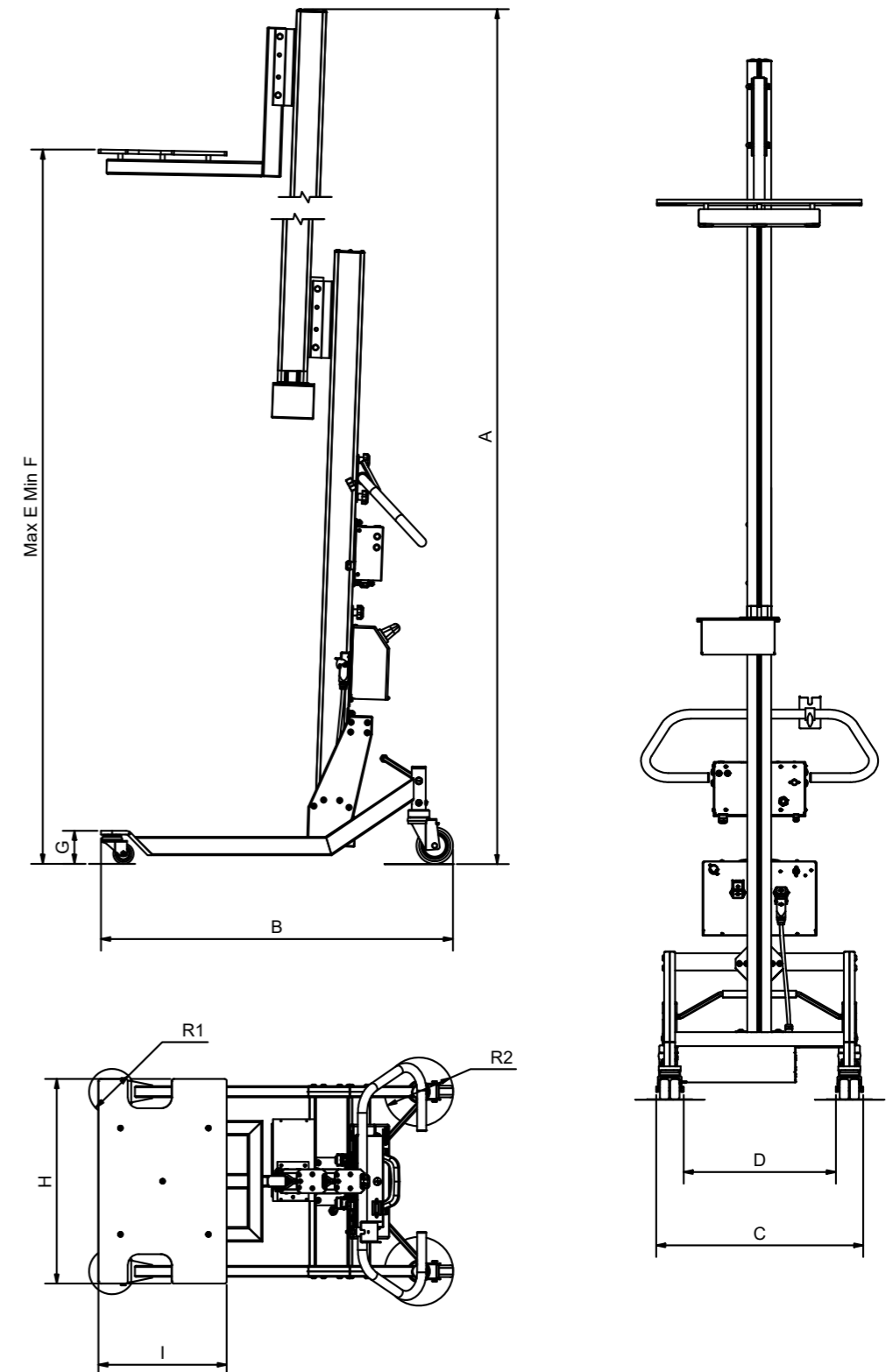
Model	A	B	C	D	E	F	H	I	R1	R2
DC 15 U52 (mm)	2822	1209	648	504	2448	95	620	534	Ø127	Ø186

Dimensions DC 09 U42



Model	A	B	C	D	E	F	H	I	R1	R2
DC 09 U42 (mm)	2376	816	550	430	1961	95	558	350	Ø125	Ø187

Dimensions DC 09 U52



Model	A	B	C	D	E	F	H	I	R1	R2
DC 09 U52 (mm)	2839	960	565	415	2455	95	558	350	Ø125	Ø186

Smart moves
For safe work

Disclaimer. We reserve the right to make changes. Illustrations, drawings and data are not always in accordance with the latest version or standard model in production. The models in the pictures may present special equipment or colours.

PRONOMIC AB
Phone: +468 544706 60
sales@pronomic.com | pronomic.com